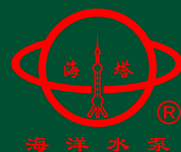
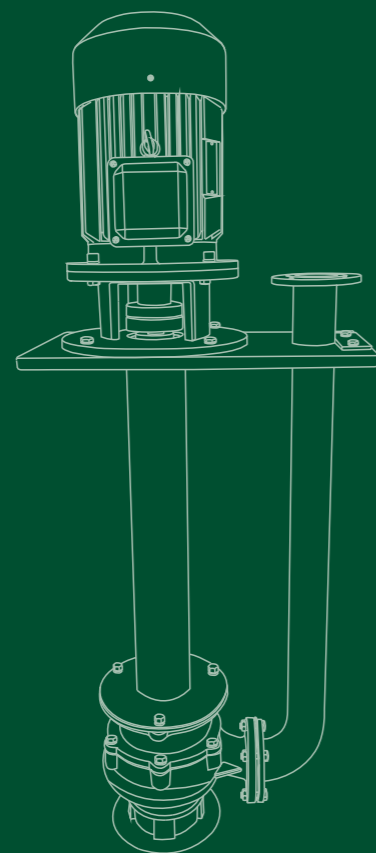


由于我们在不断努力改进产品，我们保留样本数据更改的权利，敬请谅解。
Due to our continuous efforts to improve the product, we reserve the right to make changes to the sample data. We apologize for any inconvenience caused.

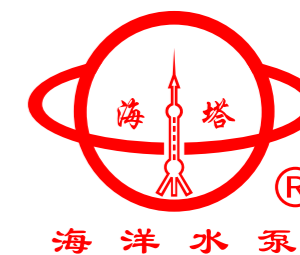


Shanghai Sea
Pump & Valve Mfg Co.,Ltd

上海海洋泵阀制造有限公司

地址：上海市金山区山阳镇山富东路365号
电话：(0086)-021-63546554 63803848
传真：(0086)-021-33550508
网址：www.sea-pump.com
邮箱：seapump@foxmail.com

Address: 365 Shanfu East Road, Jinshan District, Shanghai
TEL: (0086)-021-63546554 63803848
FAX: (0086)-021-33550508
WEB: www.sea-pump.com
E-mail: seapump@foxmail.com



**YW系列
液下式排污泵**

YW series submerged sewage pump

SEAPUMP

上海海洋泵阀制造有限公司
SHANGHAI SEA PUMP & VALVE MFG CO.,LTD



企业简介 + AOBUTS

上海海洋泵阀制造有限公司是专业从事水泵、生活消防设备及水泵智能控制开发、生产、销售为一体的股份制企业，本公司运用先进的软件开发、设计产品保证了向顾客提供更优质的产品。

“海洋水泵，泵的海洋”，海洋产品在全国各地设有分公司以及售后服务处，产品已应用于工矿企业、城市污水处理、城市供水、石油化工、农业灌溉等行业。本厂资金雄厚，生产设备先进，检测手段完善，并拥有一批高素质的专业人才队伍，同时ISO9001:2015国际质量管理体系的良好动作，为制造出优质、可靠的产品打下坚实基础。

本公司在“以人为本，科技兴业；以诚为用，质量立业；勇于开拓，锐意进取；追求卓越，走向未来”的方针指导下，不断开拓进取创新发展，在长期的实践中形成了一套完整的质量体系，并配备了一支安装调试维护的售后服务队伍。销售网点辐射全国各大城市，产品行销全国各省、市、自治区，并出口东南亚等国。并以一流的产品、一流的服务赢得了国内外广大用户的信赖和好评。本公司以“一切为了顾客的满意”为宗旨，继往开来，与时俱进。服务于人类建设美好家园。

Shanghai HAIYANG pump & valve Co., Ltd. Is a joint-stock enterprises which specializes in the manufacture of water pumps, fire fighting equipment and pumps intelligent controlling production, sales in one. our company uses advanced software to develop and design products to ensure that customers provide better quality products.

" HAIYANG water pumps, pump of the sea", the HAIYANG products throughout the country with more than 30 branch offices as well as after-sales service, products have been used in industrial and mining enterprises, urban sewage treatment, urban water supply, petrochemicals, agriculture and irrigation sectors. Factory with a strong financial background, advanced production equipment and means of improving the detection and has a number of high-quality professional talent, while ISO9001: 2000 international quality management system of good moves, in order to create high-quality, reliable products to lay a solid foundation.

In this "people-oriented, Industrial Science and Technology; to use for Prudential, the quality of establishing themselves; to open up the courage to strive for progress; the pursuit of excellence, into the future" under the guidance of continuous innovation and development to forge ahead in long-term practice of the formation of a complete set of The quality system and is equipped with an installation of the maintenance of after-sales service team. Radiation sales outlets in major cities nationwide, product marketing provinces, municipalities and autonomous regions, and exports in countries such as South-East Asia. And first-class products, first-class service to win customers at home and abroad trust and praise. The Company take "everything for the customer satisfied" as the purpose, advance with the times, in the service of humanity home.

目 录 Contents

型号意义	01	Model Meaning
产品概述	01	Product Overview
产品适用场合	01	Applicable occasions of the product
产品特点	02	Product Features
使用条件	02	Usage conditions
结构说明	03	Structure Description
型谱图	03	Type spectrogram
性能参数表及安装尺寸	04-05	Performance parameter table and installation dimensions
外形尺寸图	06	Outline Dimensional Drawing
使用方法及注意事项	07	Usage and precautions
维护保养	07	Maintenance and upkeep
故障原因及排除方法	08	Fault causes and troubleshooting methods

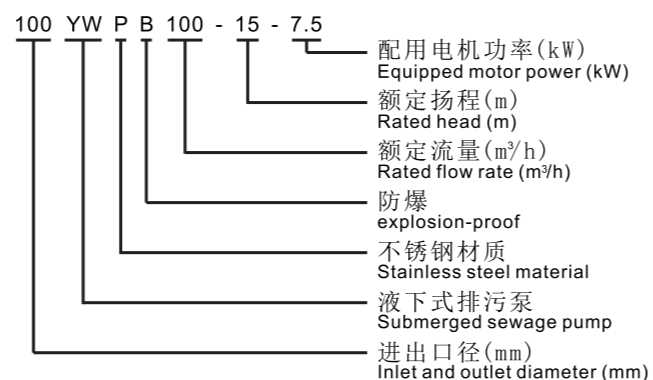


单管

双管

双管方盘

型号意义 Type designation



产品概述

YW型无堵塞液下排污泵是在引进国外先进技术的基础上，结合国内水泵的使用特点而研制成功的新一代泵类产品，具有节能效果显著、防缠绕、无堵塞等特点。在排送固体颗粒和长纤维垃圾方面，具有独特效果。

该系列泵采用独特叶轮结构和新型机械密封，能有效地输送含有固体物和长纤维，叶轮与传统叶轮相比，该泵叶轮采用单流道或双流道形式，它类似于一截面大小相同的弯管，具有非常好的过流性，配以合理的蜗室，使得该泵具有效率高、叶轮经平衡试验，使泵在运行中无振动。

该泵水力性能先进、成熟，产品经测试各项性能指标均达到有关标准规定，产品投放市场后以其独特的功效，可靠的性能，稳定的质量受到广大用户的欢迎和好评。

产品适用场合

1. 工厂商业严重污染废水的排放。
2. 城市污水处理厂排水系统。
3. 住宅区的污水排水站。
4. 人防系统排水站。
5. 医院、宾馆的污水排放。
6. 市政工程、建筑工地。
7. 勘探、矿山配套附机。
8. 农村沼气池农田灌溉。
9. 自来水厂的给水装置。

Overview

The YW type non clogging underwater sewage pump is a new generation of pump products developed based on the introduction of advanced foreign technology and the characteristics of domestic water pumps. It has significant energy-saving effects, anti winding, and non clogging characteristics. It has a unique effect in discharging solid particles and long fiber waste.

This series of pumps adopts a unique impeller structure and a new type of mechanical seal, which can effectively transport solids and long fibers. Compared with traditional impellers, the impeller of this pump adopts a single or double channel form, which is similar to a curved pipe with the same cross-sectional size and has excellent flowability. Equipped with a reasonable volute chamber, the pump has high efficiency, and the impeller has undergone balance tests, making the pump vibration free during operation.

The hydraulic performance of this pump is advanced and mature. After testing, all performance indicators of the product meet relevant standards and regulations. After being put on the market, the product has been welcomed and praised by a large number of users for its unique efficacy, reliable performance, and stable quality.

Applicable occasions of the product

1. The discharge of severely polluted wastewater from factories and businesses.
2. Urban sewage treatment plant drainage system.
3. Sewage drainage stations in residential areas.
4. Civil air defense system drainage station.
5. Sewage discharge from hospitals and hotels.
6. Municipal engineering and construction sites.
7. Auxiliary equipment for exploration and mining.
8. Rural biogas digesters for farmland irrigation.
9. The water supply device of the water plant.



产品特点

1. 采用大流道抗堵塞水力部件设计，大大提高污物通过能力，能有效地通过泵口径的5倍纤维物质和直径为泵口径约50%的固体颗粒。
2. 设计合理，配套电机合理，效率高，节能效果显著。
3. 机械密封采用双道串联密封，材质为硬质耐磨碳化钨，具有耐用、耐磨等特点，可以使泵安全连续运行8000小时以上。
4. 泵结构紧凑，体积小，移动方便，安装简单等特点。
5. 可根据用户需要配备液位自动控制柜，根据所需液位变化，自动控制泵的启动与停止，不需专人看管，使用极为方便。
6. 泵为立式结构，工作时泵体浸在液体中因而很容易启动，不存在排气抽空问题，同时具有无泄漏等特点，液下深度可达0.5~7米。
7. 接轴结构先进可靠，泵与电机采用联轴器联接，泵轴尺寸精密，保证了泵平稳运行，留有足够的安全系数。
8. 在使用扬程范围内保证电机运行不过载。
9. 泵有单管安装和双管安装两种，支承件有圆盘和方盘安装。

泵的使用条件

1. 介质温度不超过60℃，重度为1.0-1.3Kg/dm³，PH值在5-9范围内。
2. 一般情况下，泵必须在使用扬程范围内使用，保证电机不超载，如需在全扬程范围使用，应在订货时另行注明，以便厂家制造。
3. 在运行过程泵电机电流不得超过电机的额定电流。
4. 如有特殊的温度、介质等要求，请在订货时注明输送介质的详细情况，以便厂家制造。

Product Features

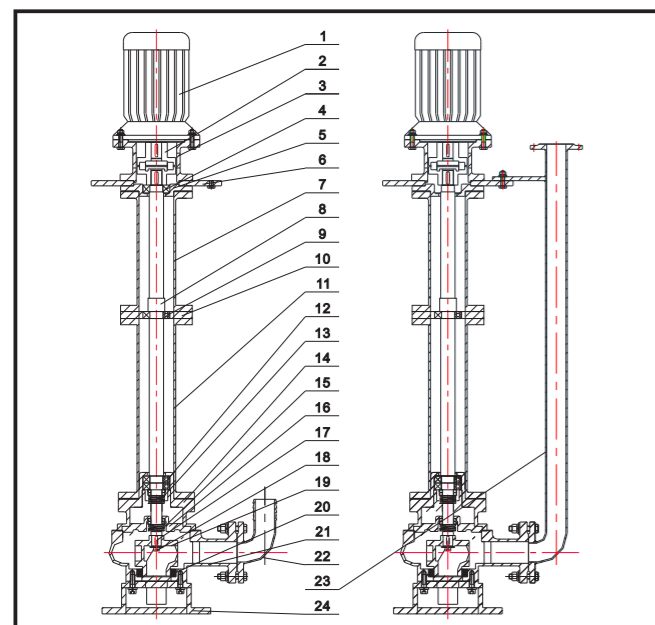
1. Adopting a large channel anti clogging hydraulic component design, greatly improving the ability of pollutants to pass through, effectively passing through 5 times the fiber material of the pump diameter and solid particles with a diameter of about 50% of the pump diameter.
2. Reasonable design, reasonable supporting motor, high efficiency, and significant energy-saving effect.
3. The mechanical seal adopts a dual channel series seal, made of hard wear-resistant tungsten carbide, which is durable and wear-resistant, and can ensure safe and continuous operation of the pump for over 8000 hours.
4. The pump has compact structure, small volume, convenient movement, and simple installation.
5. According to user needs, an automatic liquid level control cabinet can be equipped to automatically control the start and stop of the pump according to the required liquid level changes, without the need for dedicated personnel to monitor, making it extremely convenient to use.
6. The pump is a vertical structure, and when working, the pump body is immersed in liquid, making it easy to start. There is no problem with exhaust and evacuation, and it has the characteristics of no leakage. The depth under the liquid can reach 0.5-7 meters.
7. The coupling structure is advanced and reliable, the pump and motor are connected by coupling, and the pump shaft size is precise, which ensures the smooth operation of the pump, leaving enough Factor of safety.
8. Ensure that the motor does not overload during operation within the range of operating head.
9. There are two types of pumps: single tube installation and double tube installation, with supporting components including disc and square plate installation.

Service conditions of the pump

1. The medium temperature shall not exceed 60℃, and the density shall be 1.0-1.3Kg/dm³, The pH value is within the range of 5-9.
2. In general, the pump must be used within the operating head range to ensure that the motor is not overloaded. If it needs to be used within the full head range, it should be noted separately when ordering, so that the manufacturer can manufacture it.
3. During operation, the pump motor current should not exceed the rated current of the motor.
4. If there are special requirements for temperature, medium, etc., please indicate the detailed information of the conveying medium when ordering, so that the manufacturer can manufacture it.



结构说明



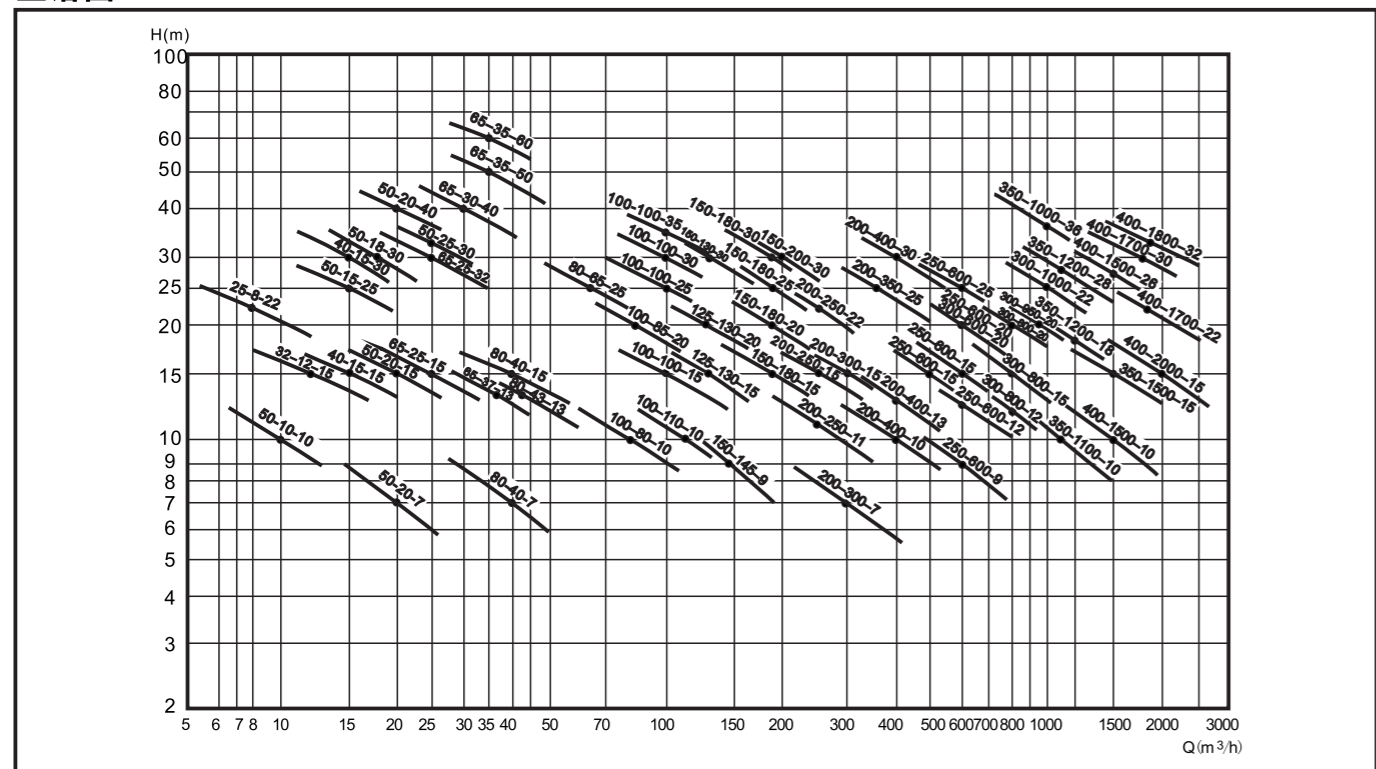
序号 Serial NO.	名称	Name
1	电机	motor
2	联轴器	coupling
3	电机座	motor base
4	上轴承	Upper bearing
5	上轴承座	Upper bearing seat
6	安装盘	Installation disk

Structure description

序号 Serial NO.	名称	Name
7	加长轴	Extended shaft
8	轴套	shaft sleeve
9	中轴承	middle bearing
10	中轴承座	Middle bearing seat
11	支撑管	support tube
12	下轴承	lower bearing
13	上机械密封	Upper mechanical seal
14	油室	oil chamber
15	下机械密封	Lower mechanical seal
16	后盖板	Rear cover
17	键	key
18	叶轮螺母	impeller nut
19	叶轮	impeller
20	密封圈	sealing ring
21	泵体	pump body
22	出水弯头	Water outlet elbow
23	出水管	Outlet pipe
24	底座	base

型谱图

Type spectrogram



性能参数表及尺寸表

Performance parameter table and size table

序号 Serial NO.	型号 Type	流量 Capacity m ³ /h	扬程 Head m	转速 Speed r/min	功率 Power kW	效率 Efficiency %	口径 Diameter mm	出口法兰 Outlet flange			安装盘尺寸 Installation disk size																	
								D	D1	n-d1	C×E	C1×E1	n-d2	ΦF	n-d3	L1	L2											
1	25YW8-12-0.75	8	12	2900	0.75	48	25	100	75	4-14	600×320	540×250	4-φ18	φ250	4-φ18	100	220											
2	25YW8-22-1.1	8	22	2900	1.1	45	25	100	75	4-14	600×320	540×250	4-φ18	φ250	4-φ18	100	220											
3	32YW8-12-0.75	8	12	2900	0.75	48	32	120	90	4-14	600×320	540×250	4-φ18	φ250	4-φ18	100	220											
4	32YW8-12-1.1	8	22	2900	1.1	45	32	120	90	4-14	600×320	540×250	4-φ18	φ250	4-φ18	100	220											
5	40YW12-15-1.5	12	15	2900	1.5	48	40	130	100	4-14	600×320	540×250	4-φ18	φ250	4-φ18	100	220											
6	50YW20-7-0.75	20	7	2900	0.75	62	50	140	110	4-14	600×320	540×250	4-φ18	φ270	4-φ18	100	260											
7	50YW10-10-0.75	10	10	2900	0.75	54																						
8	50YW20-15-1.5	20	15	2900	1.5	51																						
9	50YW15-30-2.2	15	30	2900	2.2	45																						
10	50YW42-9-2.2	42	9	2900	2.2	52																						
11	50YW30-10-2.2	30	10	2900	2.2	51																						
12	50YW17-25-3	17	25	2900	3	52																						
13	50YW40-15-4	40	15	2900	4	57																						
14	50YW25-32-5.5	25	32	2900	5.5	60																						
15	50YW20-40-7.5	20	40	2900	7.5	46																						
16																												
17	65YW25-15-2.2	25	15	2900	2.2	52												65	160	130	4-14	600×320	540×250	4-φ18	φ270	4-φ18	100	290
18	65YW37-13-3	37	13	2900	3	60																			φ250			
19	65YW25-30-4	25	30	2900	4	58																			φ300			
20	65YW30-30-5.5	30	30	2900	5.5	58																			φ350			
21	65YW30-40-7.5	30	40	2900	7.5	55	φ270																					
22	65YW35-50-11	35	50	2900	11	42	φ250																					
23	65YW35-60-15	35	60	2900	15	41	φ300																					
24	80YW40-7-2.2	40	7	1450	2.2	50	80	185	150	4-18	650×350	600×300	4-φ18	φ270	4-φ18	100	330											
25	80YW43-13-3	43	13	2900	3	48								φ250														
26	80YW50-7-3	50	7	2900	3	52								φ300														
27	80YW40-15-4	40	15	2900	4	48								φ270														
28	80YW50-20-5.5	50	20	2900	5.5	50								φ250														
29	80YW65-25-7.5	65	25	2900	7.5	51								φ300														
30	80YW80-15-7.5	80	15	2900	7.5	54								φ270														
31	100YW70-7-3	70	7	1450	3	60								100				205	170	4-18	745×430	680×370	4-φ18	φ250	4-φ18	120	330	
32	100YW85-10-4	85	10	1450	4	62																		φ300				
33	100YW60-15-4	60	15	1450	4	60																		φ350				
34	100YW65-15-5.5	65	15	1450	5.5	59	φ270																					
35	100YW100-15-7.5	100	15	1450	7.5	70	φ250																					
36	100YW85-20-7.5	85	20	1450	7.5	65	φ300																					
37	100YW100-25-11	100	25	1450	11	61	φ350																					
38	100YW100-30-15	100	30	1450	15	59	φ270																					
39	100YW100-35-18.5	100	35	1450	18.5	56	φ300																					
40																												
41	150YW145-9-7.5	145	9	1450	7.5	63	150	260	225	8-18	1300×750	1220×680	6-φ18	φ300	4-φ18	200	550											
42	150YW110-15-7.5	110	15	1450	7.5	61								φ350														
43	150YW200-10-15	200	10	1450	15	64								φ270														
44	150YW180-15-15	180	15	1450	15	62								φ300														
45	150YW180-20-18.5	180	20	1450	18.5	74								φ350														
46	150YW150-26-18.5	150	26	1450	18.5	72								φ270														
47	150YW180-25-22	180	25	1450	22	69								φ300														
48	150YW200-25-30	200	25	1450	30	65								φ350														
49	150YW200-30-37	200	30	1450	37	65								φ270														
50	150YW150-35-37	150	35	1450	37	63								φ300														
51	150YW180-40-45	180	40	1450	45	59	φ350																					
52	200YW300-7-11	300	7	980	11	75	200	315	280	8-18	1500×750	1420×680	6-φ18	φ300	4-φ18	200	610											
53	200YW250-11-15	250	11	1450	15	72								φ350														
54	200YW250-15-18.5	250	15	1450	18.5	72								φ270														
55	200YW400-10-22	400	10	1450	22	75								φ300														
56	200YW300-15-22	300	15	1450	22	71								φ350														
57	200YW400-13-30	400	13	1450	30	76								φ270														
58	200YW300-18-30	300	18	1450	30	68								φ300														



性能参数表及尺寸表

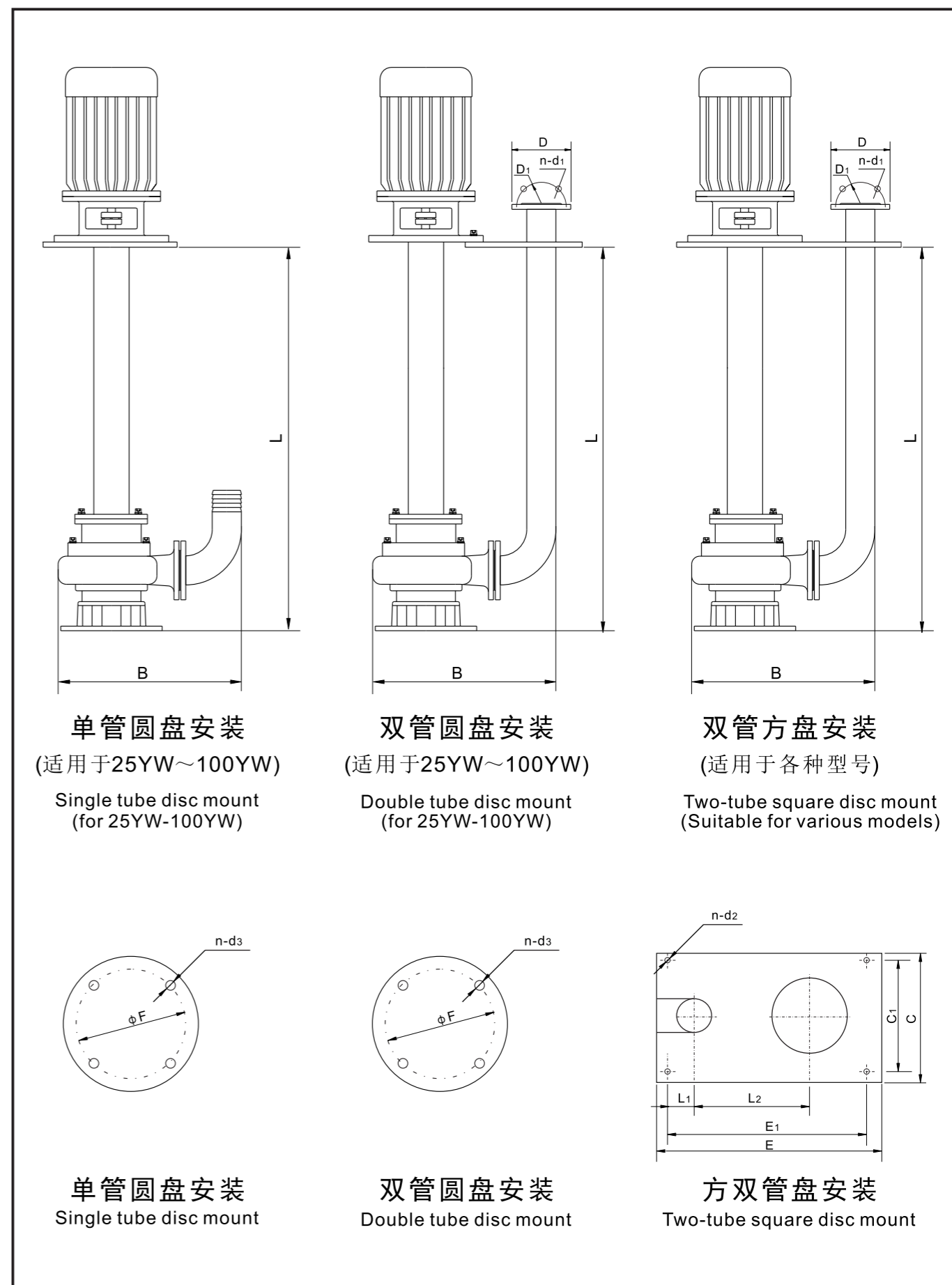
Performance parameter table and size table

序号 Serial NO.	型号 Type	流量	扬程	转速	功率	效率	口径 Diameter	出口法兰 Outlet flange			安装盘尺寸 Installation disk size				
		m ³ /h	m	r/min	kW	%		D	D1	n-d1	C×E	C1×E1	n-d3	L1	L2
1	200YW250-22-30	250	22	1450	30	71	200	315	280	8-18	1500×750	1420×680	6-φ18	200	610
2	200YW300-25-37	300	25	1450	37	71									
3	200YW400-20-45	400	20	1450	45	74									
4	200YW250-35-45	250	35	1450	45	69									
5	200YW400-30-55	400	30	1450	55	72									
6	200YW200-60-75	200	60	1450	75	52									
7	250YW600-9-30	600	9	980	30	78	250	370	335	12-18	1500×850	1420×780	6-φ18	200	680
8	250YW600-12-37	600	12	1450	37	76									
9	250YW600-15-45	600	15	1450	45	73									
10	250YW600-20-55	600	20	1450	55	73									
11	250YW600-25-75	600	25	1450	75	71									
12	250YW600-30-90	600	30	1450	90	68									
13	300YW800-12-45	800	12	980	45	74	300	435	395	12-23	1500×850	1420×780	6-φ18	200	680
14	300YW480-15-45	480	15	1450	45	66									
15	300YW400-20-45	400	20	1450	45	64									
16	300YW600-20-55	600	20	1450	55	73									
17	300YW800-20-75	800	20	1450	75	75									
18	300YW950-20-90	950	20	1450	90	76									
19	300YW950-24-110	950	24	1450	110	76	350	485	445	12-23	2000×1200	1900×1100	6-φ18	200	750
20	350YW1500-7-45	1500	7	740	45	87									
21	350YW1100-10-55	1100	10	980	55	85									
22	350YW1180-13-75	1180	13	980	75	84									
23	350YW1200-15-90	1200	15	980	90	84									
24	350YW1130-18-90	1130	18	980	90	83									
25	350YW1250-20-110	1250	20	980	110	83									
26	350YW1500-20-132	1500	20	980	132	82									
27	350YW1500-26-160	1500	26	980	160	83									
28	400YW2000-6-55	2000	6	740	55	86	400	535	495	16-23	2000×1200	1900×1100	6-φ18	200	750
29	400YW1800-7-55	1800	7	740	55	85									
30	400YW2500-7-75	2500	7	740	75	85									
31	400YW1800-10-75	1800	10	740	75	85									
32	400YW1690-12-90	1690	12	980	90	85									
33	400YW2000-10-90	2000	10	980	90	85									
34	400YW2000-13-110	2000	13	980	110	84									
35	400YW2000-15-132	2000	15	980	132	83									
36	400YW1700-22-160	1700	22	980	160	83									
37	400YW2000-18-160	2000	18	980	160	85									
38	400YW1950-23-185	1950	23	980	185	85									
39	400YW1980-26-220	1980	26	980	220	83									
40	400YW1800-32-250	1800	32	980	250	82									
41	450YW2300-10-90	2300	10	740	90	85	450	590	550	16-23	2500×1400	2400×1400	6-φ18	250	950
42	450YW2250-11-110	2250	11	740	110	85									
43	450YW2100-12-110	2100	12	740	110	83									
44	450YW2260-14-132	2260	14	740	132	83									
45	450YW2280-20-185	2280	20	740	185	82									
46	450YW2300-25-250	2300	25	740	250	81									
47	450YW2300-29-280	2300	29	740	280	80									
48	450YW2100-36-315	2100	36	740	315	78	500	640	600	16-23	2500×1400	2400×1400	6-φ18	250	950
49	500YW2500-10-110	2500	10	740	110	85									
50	500YW2500-16-160	2500	16	740	160	84									
51	500YW2500-18-185	2500	18	740	185	83									
52	500YW2500-12-132	2500	12	740	132	85									
53	500YW2400-22-220	2400	22	740	220	85									
54	500YW2650-24-250	2650	24	740	250	85									
55	500YW2400-28-280	2400	28	740	280	85									
56	600YW5400-8-185	5400	8	580	185	87	600	780	705	20-30	2500×1400	2400×1400	6-φ18	250	950
57	600YW4000-12-200	4000	12	580	200	86									
58	600YW3550-15-200	3550	15	740	200	84									



安装尺寸图

Outline Installation Dimensional Drawing





使用方法及注意事项

1. 泵使用前应仔细检查泵和电机有无损伤，检查紧固件紧固情况。
2. 盘动泵检查有无磨擦声，同时检查泵轴与电机轴同心度，两联轴节外圆偏差数不超过0.5mm。
3. 接泵出液口之管路，应另设支架，不允许将其重量加于泵体上。
4. 水泵在无特殊情况必须配备全自动水泵控制柜，切勿直接挂电网或使用闸刀开关来接通电流，确保水泵正常运行。
5. 不得将水泵长期处于低扬程状态下运行(一般使用扬程不得低于额定扬程的60%)，最好能控制在建议使用扬程范围以内，以防水泵因超载而烧坏电机。

维护保养

1. 水泵应有专人管理与使用，并定期检查水泵的电路和水泵工作是否正常。
2. 每次使用特别是用于较稠较粘的浆液后，应将水泵放在清水中运转数分钟，防止泵内留下沉积物，保证水泵的清洁。
3. 在常规状态下，泵每使用300~500小时后应加注或更换油室中机油(10~30#机油)，使机械密封保持良好的润滑状态，提高机械密封的使用寿命。
4. 叶轮和泵体之间的密封环具有密封功能，如密封环损坏将直接影响泵的性能，必要时应更换。

Usage and precautions

1. Before using the pump, it is necessary to carefully inspect the pump and motor for damage, and check the fastening of the fasteners.
2. Rotate the pump to check for any friction sounds, and also check the concentricity of the pump shaft and motor shaft. The deviation of the outer circle of the two coupling joints should not exceed 0.5mm.
3. The pipeline connecting to the pump outlet should be equipped with a separate bracket, and its weight should not be added to the pump body.
4. The water pump must be equipped with a fully automatic water pump control cabinet without special circumstances. Do not directly connect to the power grid or use a knife switch to connect the current to ensure the normal operation of the water pump.
5. It is not allowed to operate the water pump in a low head state for a long time (usually the head used should not be less than 60% of the rated head). It is best to control it within the recommended head range to prevent the pump from burning out the motor due to overload.

Maintenance

1. The water pump shall be managed and used by a specially assigned person, and the circuit of the water pump and whether the water pump works normally shall be checked regularly.
2. After each use, especially for thick and sticky slurry, the water pump should be placed in clean water and run for a few minutes to prevent sediment from leaving inside the pump and ensure its cleanliness.
3. Under normal conditions, the pump should be filled or replaced with engine oil (10~30 # engine oil) in the oil chamber after every 300-500 hours of use to maintain good lubrication of the mechanical seal and improve its service life.
4. The sealing ring between the impeller and the pump body has a sealing function. If the sealing ring is damaged, it will directly affect the performance of the pump and should be replaced if necessary.

故障分析及排除方法

Troubleshooting and Remedy

故障现象 Symptom	原因分析 Cause	排除方法 Remedy
流量不足 或不出水 Insufficient flow or no water output	<ol style="list-style-type: none"> 1. 叶轮旋转错误 1. Impeller rotation error 2. 阀门是否打开和完好 2. Is the valve open and intact 3. 管道叶轮被堵 3. The pipeline impeller is blocked 4. 扬程过高 4. The head is too high 5. 抽送介质密度较大 5. The density of the pumped medium is relatively high 6. 密封圈损坏 6. Damaged sealing ring 	<ol style="list-style-type: none"> 1. 调整叶轮旋转方向 1. Adjust the rotation direction of the impeller 2. 检查、维修、排除 2. Inspection, maintenance, and troubleshooting 3. 清理杂物 3. Clean up debris 4. 改泵或降低扬程 4. Change the pump or reduce the head 5. 用水冲稀降低浓度 5. Dilute with water to reduce concentration 6. 更换 6. Replacement
运行不稳定 Unstable operation	<ol style="list-style-type: none"> 1. 叶轮不平衡 1. Unbalanced impeller 2. 轴承损坏 2. Bearing damaged 	<ol style="list-style-type: none"> 1. 送制造厂调换或校正 1. Replace or adjust 2. 更换 2. Replace
泵不能启动 Fail to start	<ol style="list-style-type: none"> 1. 缺相 1. Phase loss 2. 叶轮卡住 2. Impeller is stuck 3. 绕组接头或电缆断路 3. Open circuit of winding connector or cable 4. 定子绕组烧坏 4. The stator winding is burnt out 5. 电器控制发生故障 5. Electrical control failure 	<ol style="list-style-type: none"> 1. 检查线路进行修复 1. Check the circuit for repair 2. 排除杂物 2. Remove sundries 3. 用欧姆表检查修复 3. Check and repair with ohmmeter 4. 修理、更换绕组 4. Repair and replace winding 5. 修理或调换 5. Repair or replace
电流过大 Over current	<ol style="list-style-type: none"> 1. 工作电压低 1. Low working voltage 2. 管道、叶轮被堵 2. The pipe and impeller are blocked 3. 介质密度和粘度过高 3. Medium density and viscosity are too high 4. 流量过大 4. Excessive flow 5. 产生机械摩擦 5. Mechanical friction 	<ol style="list-style-type: none"> 1. 调速工作电压 1. Speed regulation working voltage 2. 清理管道、叶轮内堵物 2. Clean the blockage inside the pipe and impeller 3. 改变密度和粘度 3. Change density and viscosity 4. 减少流量、提高扬程 4. Reduce flow and improve lift 5. 进行维修调节 5. Carry out maintenance and adjustment
泵有杂音 或有振动 Pump has noise or vibration	<ol style="list-style-type: none"> 1. 泵轴、电机轴不同心 1. The pump shaft and motor shaft are not concentric 2. 泵的轴承或是电机轴承损坏 2. Damaged pump or motor bearings 3. 介质中有气体 3. There is gas in the medium 4. 腐蚀使泵轴不平衡 4. Corrosion causes pump shaft imbalance 5. 传动装置处螺栓松动 5. Loose bolts at the transmission device 6. 泵轴弯曲 6. Pump shaft bending 	<ol style="list-style-type: none"> 1. 调整 1. Adjustment 2. 更换 2. Replace 3. 降温或加压 3. Cooling or pressurizing 4. 更换 4. Replace 5. 紧固 5. Fastening 6. 校直或更换 6. Straighten or replace